

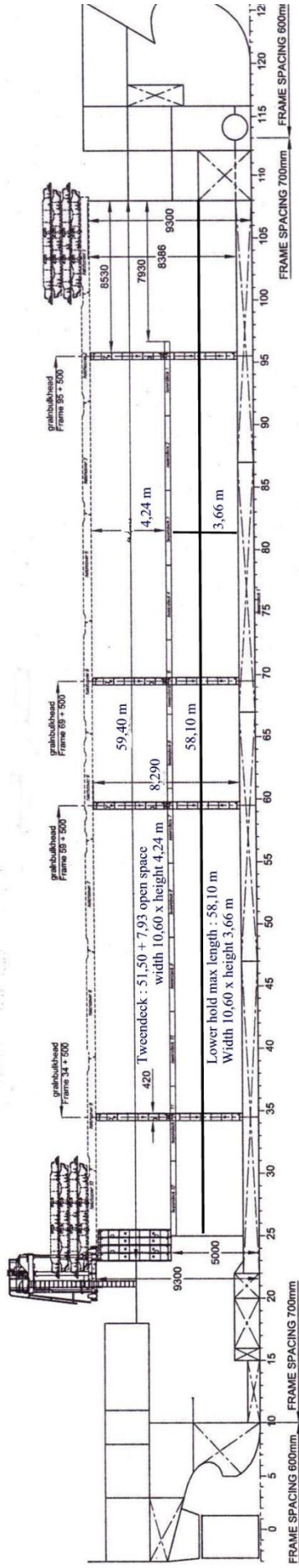


M.V. ” ELENA ”

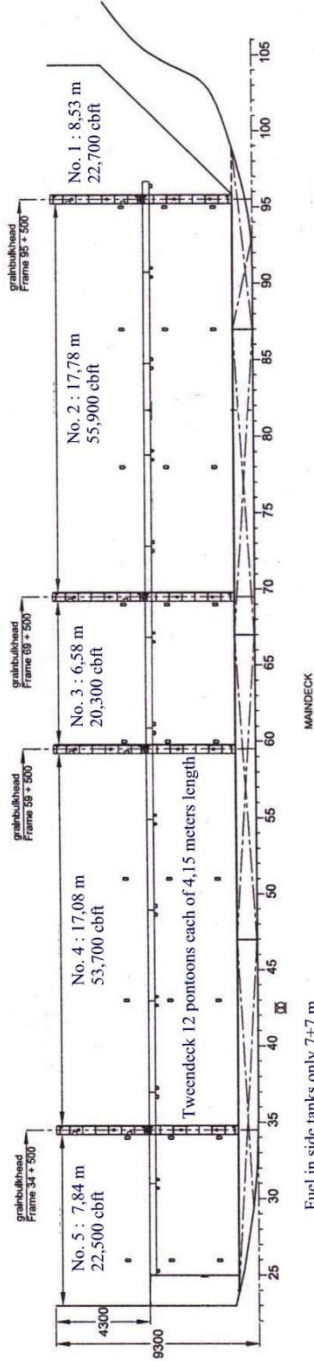
Flag	Dutch flag
Built	2008/2013
Call sign / imo number	PCEI / 9574315
Communications	Email : pcei@globeemail.com
.....	Phone : +88 1677 702164
Type	Gearless box single/tweendecker
Class	Bureau Veritas highest, Ice Class 1 A
P + I Club.....	Standard London
Dwat	3350 mt
Dwcc summer basis 80 tons bunkers	About 3000 mt basis draft 5,40 m saltwater
Dwcc winter basis 80 tons bunkers.....	About 2900 mt basis draft 5,25 saltwater
GT/ NT	2588 / 1418
Loa/ beam	88,30 m / 12,90 m
Draft in ballast	Min 4,0 m / max 4,6 m
Draft in ice trading.....	min 4,00 m / max 5,25 m
Distance keel to antenna	About 26 meters
Distance keel to hatch coaming	About 9,30 m
Depth moulded.....	7,00 m
Cubic feet capacity: grain/bale.....	176.000 cbft
Timber cap.	Abt 5000 cbm seasoned LP
Container capacity	Hold: 105 teu or 48 feu
.....	deck : 56 teu or 28 feu
Stackweight teu/feu	Tanktop : 72/ 91,5 ts / hatch : 24 / 30,5 ts
Hatches	1 hatch 58,10 x 10,60 m
Hold	1 hold 58,10 x 10,60 x 8,29 m height
Tanktop / hatch max pressure	Tanktop 12 ts m ² / twn 2,5 ts / hatch 1,60 ts
Type of hatch	Steel pontoons, stacking by gantry crane
Bulkheads	2 bulkheads in 5 different positions
IMO Cargo fitted	Yes, for some classes but not class 1
Grainfitted.....	Yes
Speed/Consumption.....	Abt 10,5 knots on abt 8 ts per day ifo380
.....	In port abt 1 ts gasoil per day, also
.....	in bad weather and maneuvering
Bunker capacity	About 210 mtons fuel + abt 35 ts gasoil
Ballast capacity.....	About 1590 mtons
Timber fitted / Slings / Tarpaulins	Yes / yes / yes
Magnet discharge.....	No magnets
Other features :	Tweendeck 12 panels total 51,50 meters
.....	length, or in combi with bulkheads

All details are W. O. G. but believed to be correct.

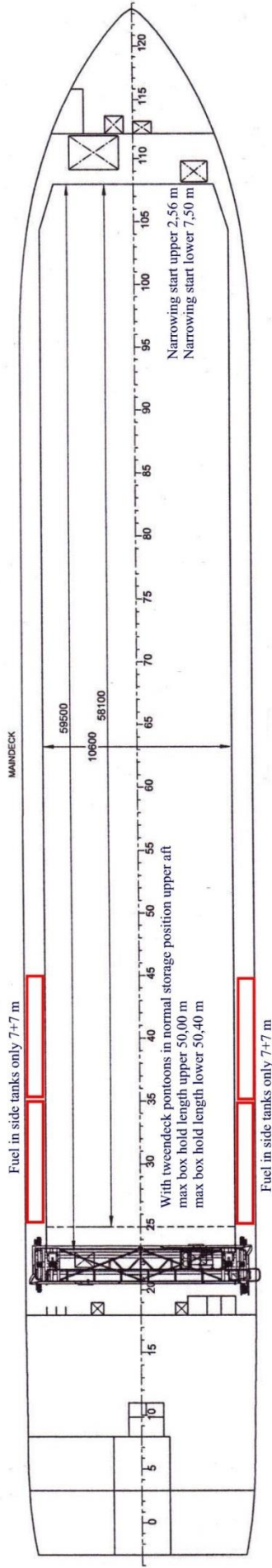
mv " Elena "



POSITIONS GRAINBULKHEADS AT C.L.



- Stackweights : 12,00 mts per m2
- Tanktop : 2,50 mts per m2
- Tweendeck : 2,50 mts per m2
- Weatherdeck hatch : 1,60 mts per m2



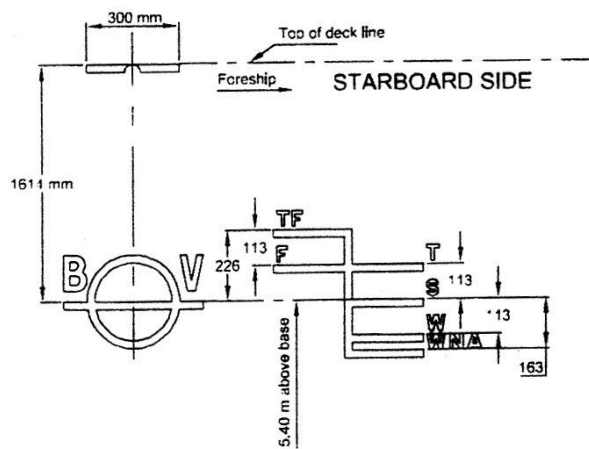
Fuel in side tanks only 7+7 m

Narrowing start upper 2,56 m
Narrowing start lower 7,50 m

With tweendeck pontoons in normal storage position upper aft
max box hold length upper 50,00 m
max box hold length lower 50,40 m

mv 'ELENA'

Deadweight scale										
Draft from base	Displacement sea water	Deadweight sea water	S.G.					MCT tonm/cm	Immersion ton/cm	KM m
			1.020	1.015	1.010	1.005	1.000			
5.500	5000	3500						65.00		
									10.40	
5.000	4500	3000						60.00	10.20	
									10.00	
4.500	4000	2500						55.00	9.80	
									9.60	
4.000	3500	2000						50.00	9.40	5.750
									9.20	6.000
3.500	3000	1500						45.00	9.00	6.500
									8.80	7.000
3.000	2500	1000						42.50	8.60	7.500
									8.40	8.000
2.500	2000	500						40.00		
2.000	1500	0								





Also bulk cargoes



Some cargo on the tweendeck



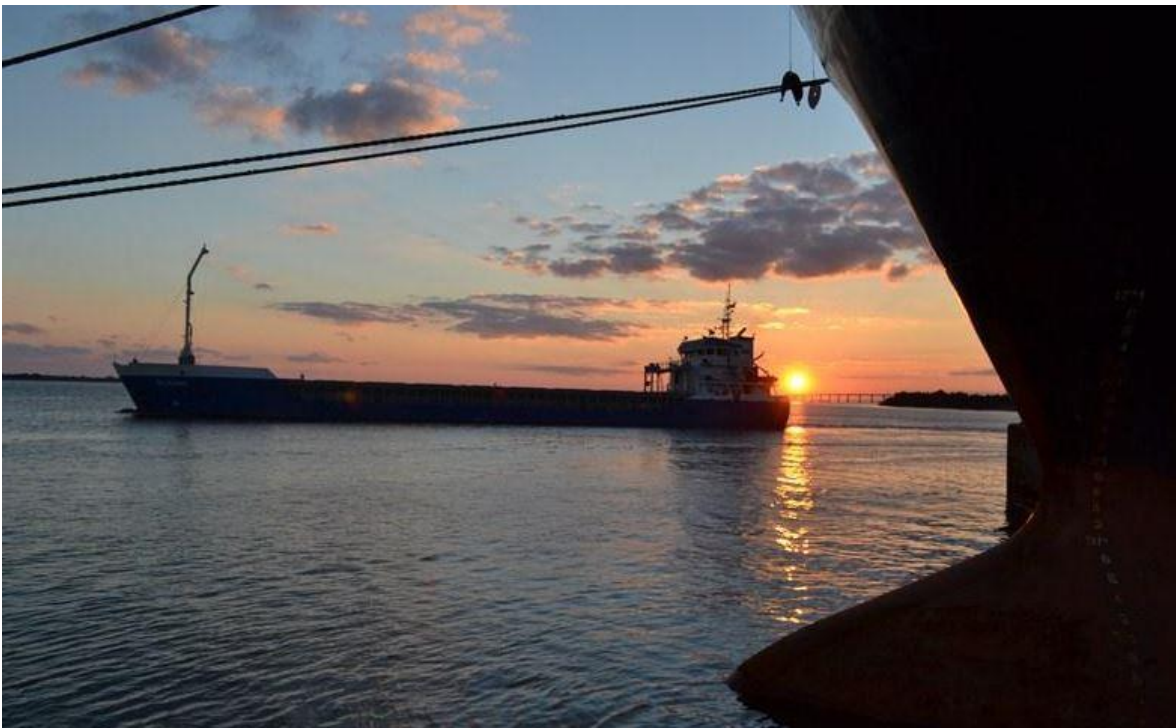
Pontoons stacked aft



Potatoes in bags/pallets blockstowed on tween



Just a nice day at work...



A nice evening in Morehead City, N C